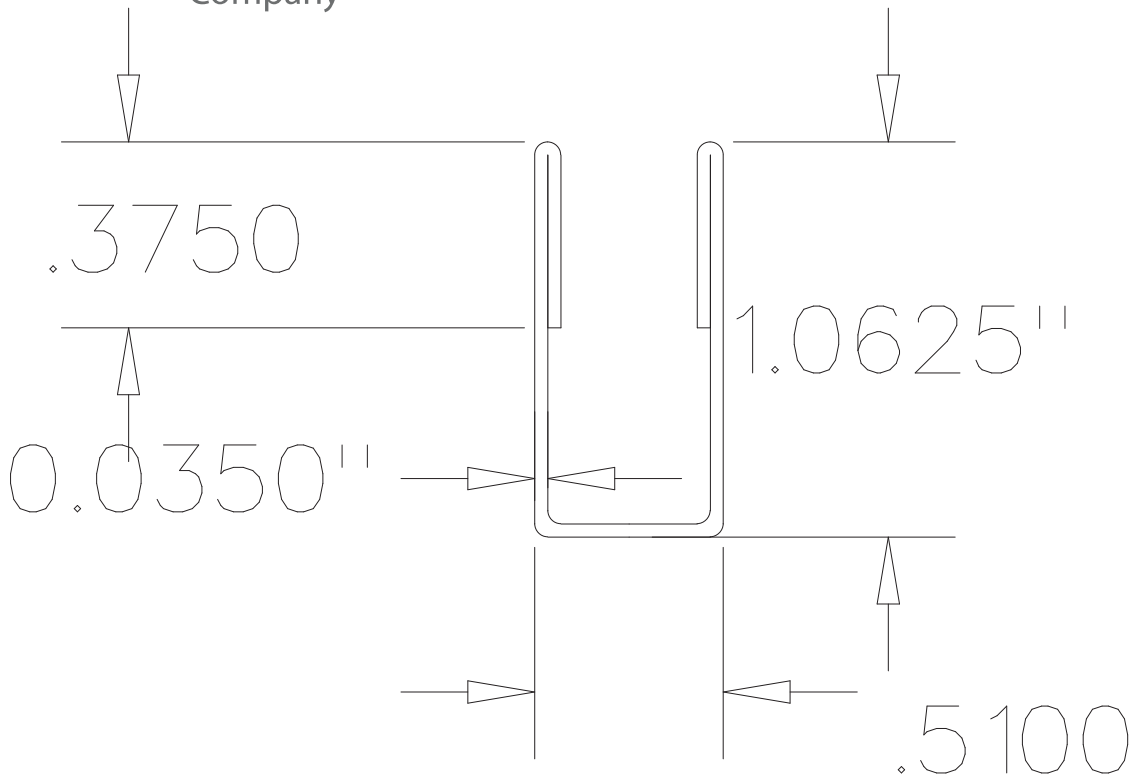




Elliott

Manufacturing
Company



S500GS-040750

.035 G 60 Galvanized Steel